

## Cree® J Series® JB5630 LED Product Change Notification

**Customer Name:** JB5630 Standard and High-Efficacy Customers

**PCN Reference Number:** CVL-PCN-2001

**Date Issued:** February 25, 2020

Please be advised that Cree has qualified a major change to the JB5630 3-V Standard and High-Efficacy series products and that we will begin shipping the affected products with the change 30 days after the PCN Issue Date.

Please review the additional PCN information below.

### Affected Product

Table 1 provides a list of products affected by this major change:

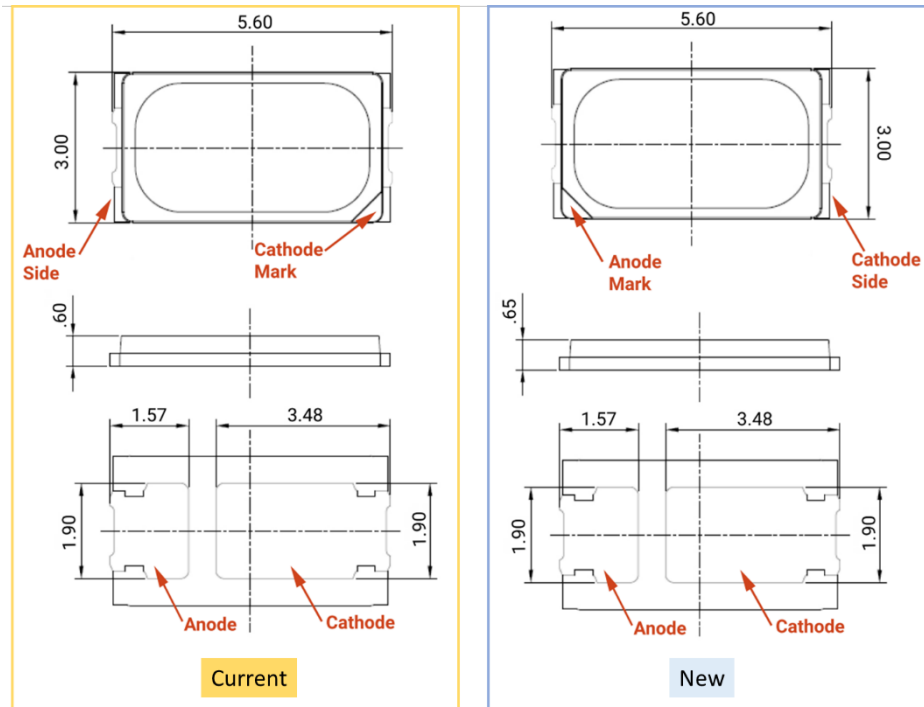
*Table 1: Affected Products List*

Cree Part Number
JB5630AWT-0x-xxxx-xPxAXxxxxxx
JB5630AWT-P-xxxxAxxxx-xxxxxx
JB5630AWT-0x-xxxx-xCxAXxxxxxx
JB5630AWT-H-xxxxAxxxx-xxxxxx

### Description of the Change

Cree is changing the cathode mark on the JB5630 3-V Standard and High-Efficacy series LEDs to an anode mark and changing the package height from 0.60 mm to 0.65 mm. Please refer to the latest data sheet on [www.cree.com](http://www.cree.com).

The current and new appearances and heights are shown below.



The packages with the cathode mark are limited to parts with bin codes with 06, 16, 0B, or 1B as the last two characters. The orientation of the polarity of the component in the carrier tape remains unchanged.

**Reason for Change**

The change is being implemented to achieve back-end efficiency and easier identification of the polarity of the component.

**Change Impact on Form, Fit, Function, or Reliability**

This has no impact on the function or reliability of the JB5630 3-V Standard and High-Efficacy series LEDs. No customer action is required. This product change does not affect the order codes.

**Cree Contact Information**

If you have any questions regarding this PCN please contact:

*Table 2: PCN Contact*

<b>Cree Contact:</b>	LEDs Customer Service
<b>Cree Contact E-Mail:</b>	xlampsales@cree.com
<b>Address:</b>	4600 Silicon Dr. Durham, NC 27703 USA

J Series® Products are sold exclusively by Cree Venture LED Company Limited (“Cree Venture”), regardless of geography. Any orders for J Series Products that are submitted to Cree, Inc. or any of its other subsidiaries will be directed to Cree Venture for acknowledgement and order fulfillment.